

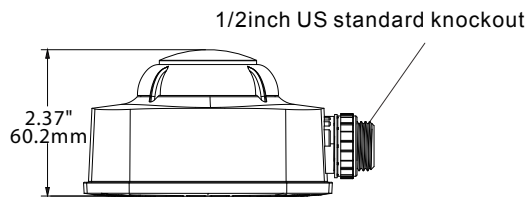
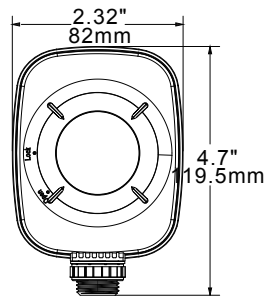


FEATURES

- This sensor is designed for automatic lighting control in high or low bay application.
- Different lens options provided.
- Includes a hold-off daylight level feature to prevent lighting from turning on when there is sufficient ambient light.
- Customize dimming level, delay time and control mode easily via a remote controller.

PHYSICAL DIMENSIONS

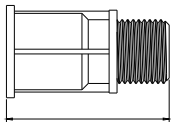
Unit: inch/mm



AMERICAN INCH PRODUCTS		
Size	T.P.I	Major Dia.
	inch	inch
R1/2	14	0.825

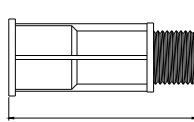
Extension Adapter (Optional)

EA30



2.03"
51.5mm

EA50



2.81"
71.5mm

TECHNICAL DATA

Input Voltage: AC120-277V
 Frequency: 60Hz
 Input Current: 10A Max @ 120V,
 4.3A Max @ 277V
 Input Power: 1200W Max
 Output Voltage: AC120-277V
 Output Current: 10A Max @ 120V,
 4.3A Max @ 277V
 Output Power: 1200W Max
 Dimming: Class 2, 0-10V DC 10mA Max
 Sinking Current: 10mA Max

Housing Material: UL 94-5VA
 Detection Range: 40-80ft
 Mounting Height: 20-40ft
 IR Remote Distance: Max 26'
 Indoor/Outdoor Use
 Operating Temperature: -30°C to 65°C,
 -22°F to 149°F
 Storage Temperature: -30°C to 85°C,
 -22°F to 185°F
 IP Rating: IP66
 Color: White

Comply to UL8750, RoHS
 Safety: cULus Listed LED Controller

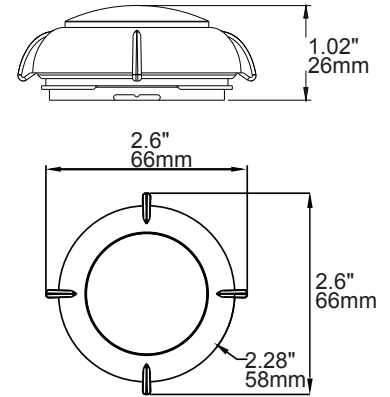
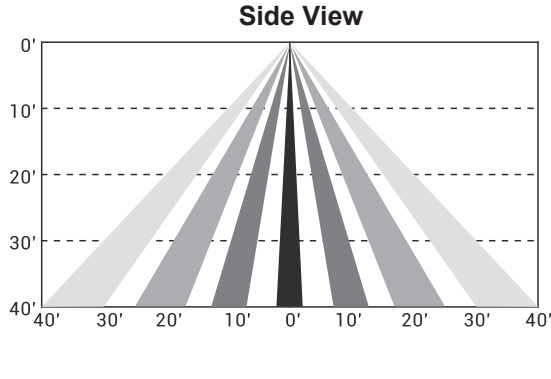
ORDERING INFORMATION

MODEL	DESCRIPTION
BMS-L01RE-PIR-1-SMO	External Passive Infrared High Bay Sensor and Fixture Controller
LS03-HB1-2-WH	HB1 High Bay Lens
LS03-HB2-2-WH	HB2 High Bay Lens
LS03-MB1-2-WH	MB1 Middle Bay Lens
EA30	Extension Adapter
EA50	Extension Adapter

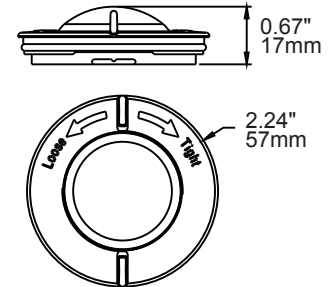
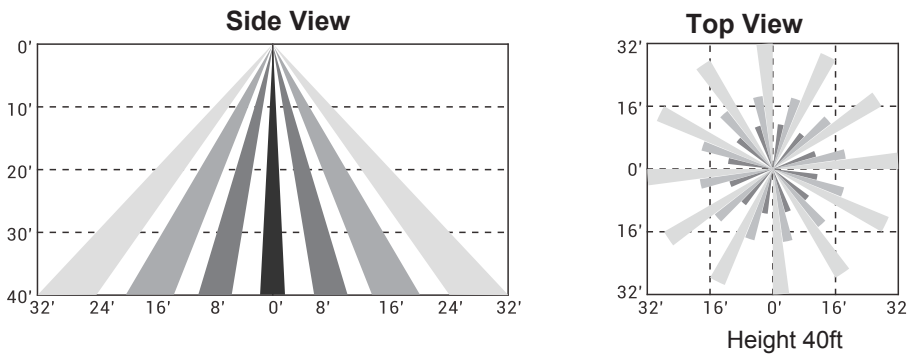
DETECTION AREA

Unit: inch/mm

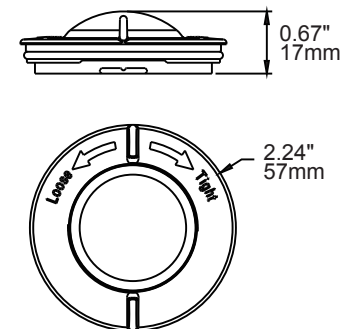
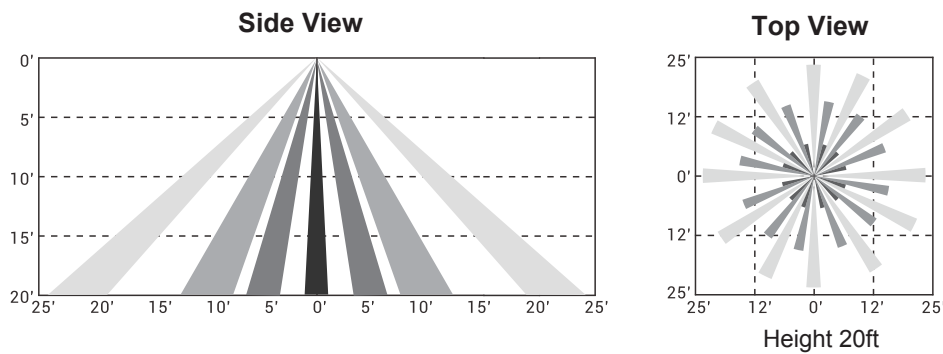
LS03-HB1-2-WH



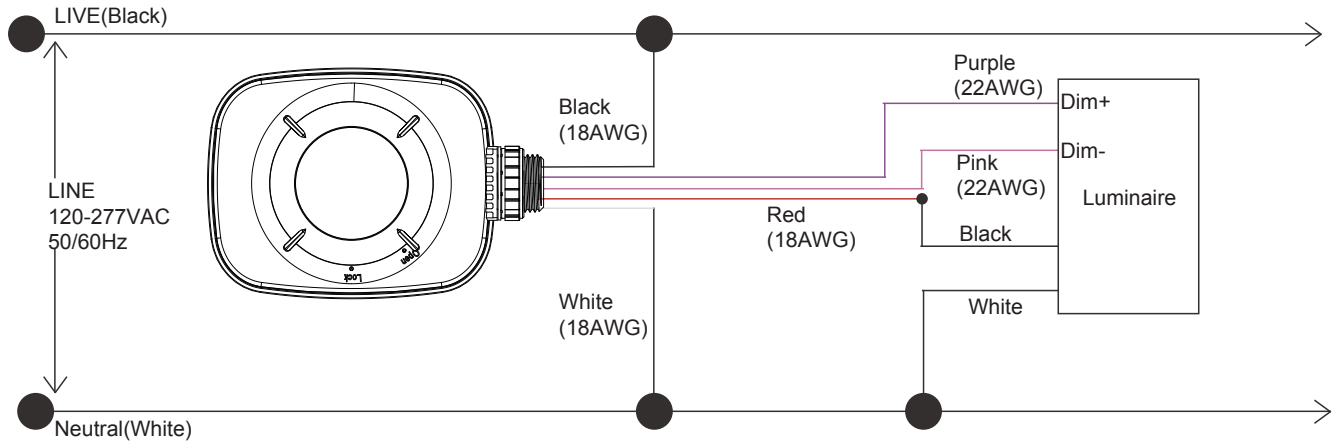
LS03-HB2-2-WH



LS03-MB1-2-WH



WIRING DIAGRAM



Ref#: 20231208

WARRANTY

Five year limited warranty.

Specifications subject to change without notice.